

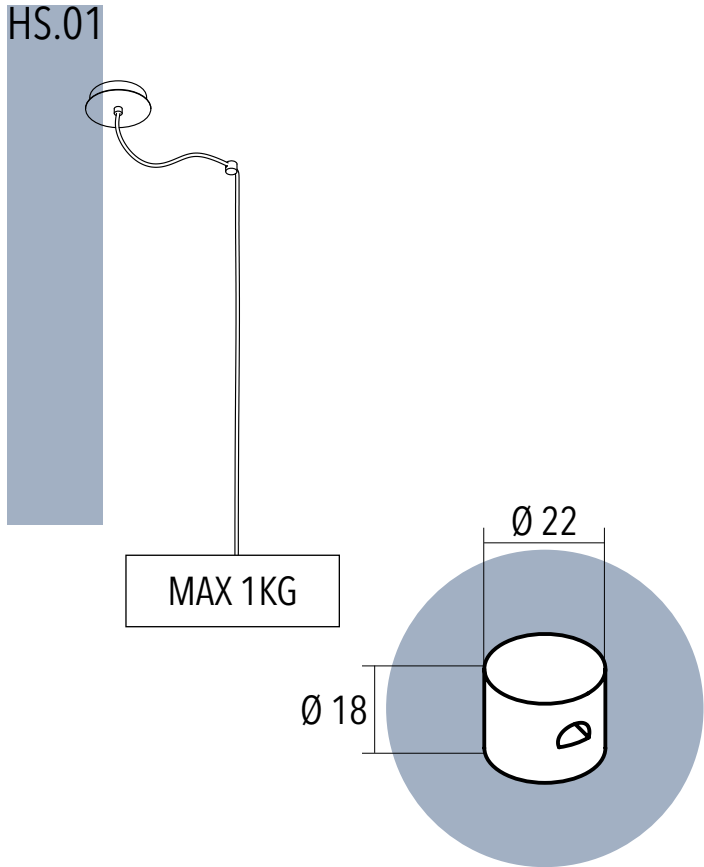
HANGING SYSTEMS & SOLUTIONS

FOR ALL OUR CEILING & PENDANT LIGHTS, WE SUPPLY HANGING SOLUTIONS AND SYSTEMS, ALLOWING A DEPORT OF SUSPENSION POINT.

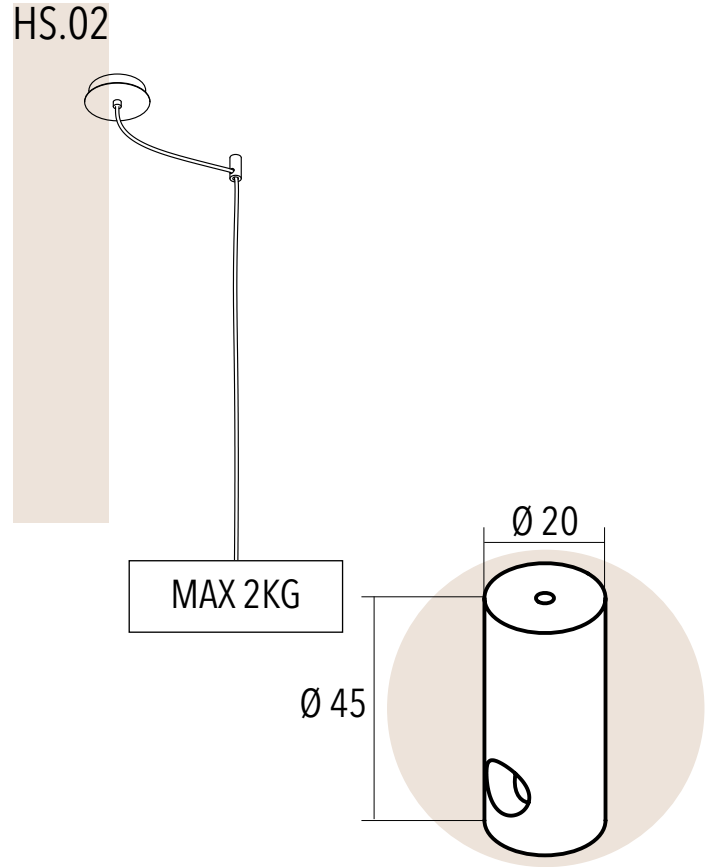
WE ALSO DEVELOPPED HANGING SOLUTIONS TO HELP FOR HARMONIOUS PRESENTATION OF SEVERAL PENDANTS ON THE SAME BASE.

SINGLE DECENTRALIZED SYSTEMS

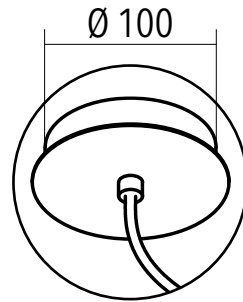
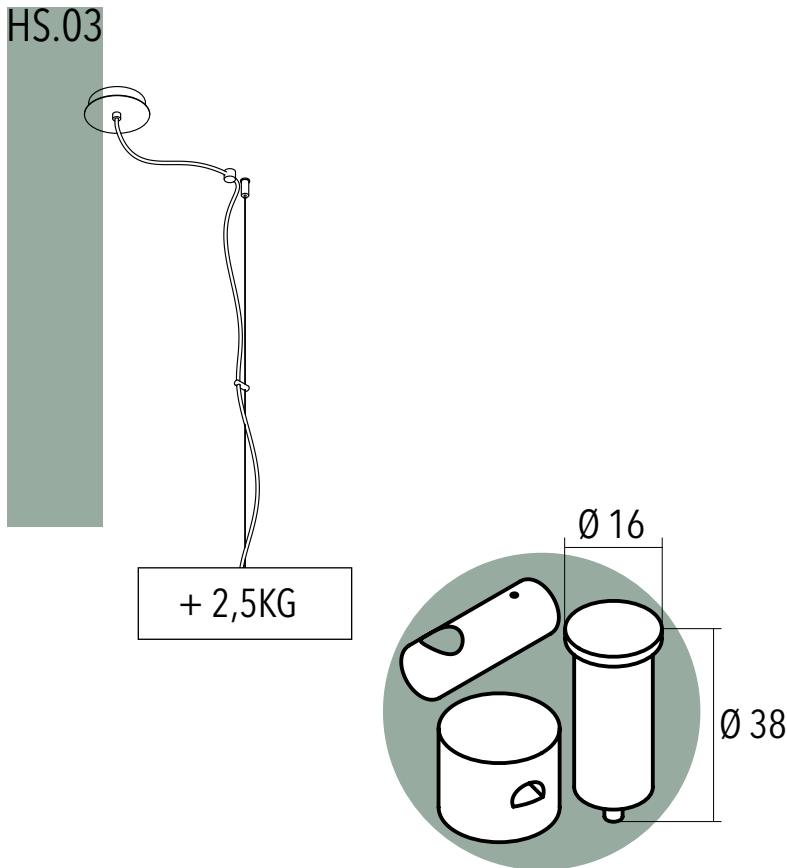
HS.01



HS.02



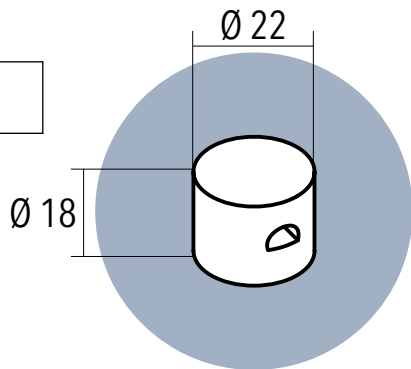
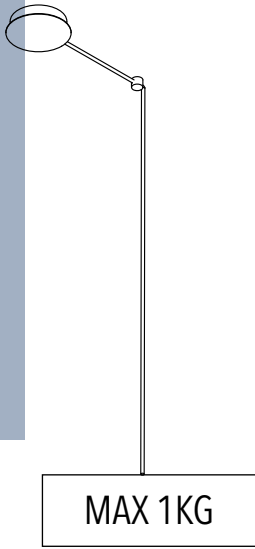
HS.03



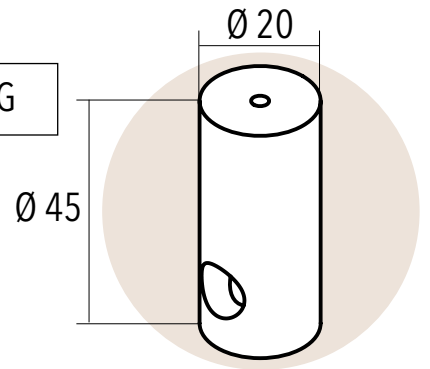
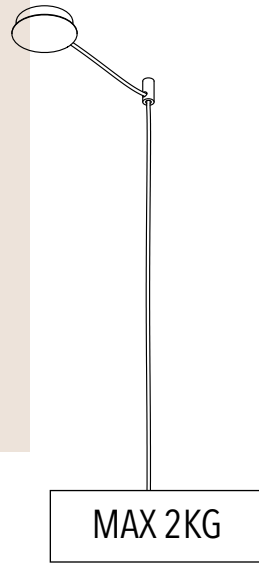
• MATT WHITE - BLACK

PLATE
Ø 115

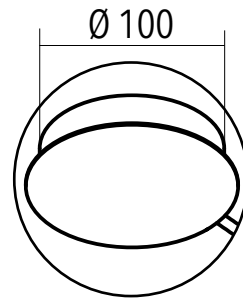
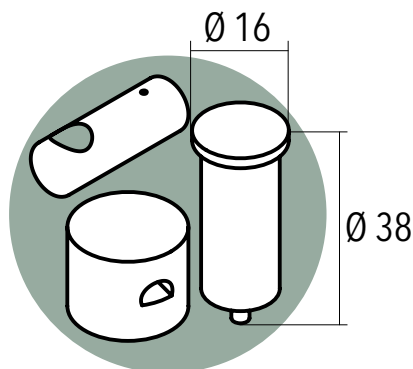
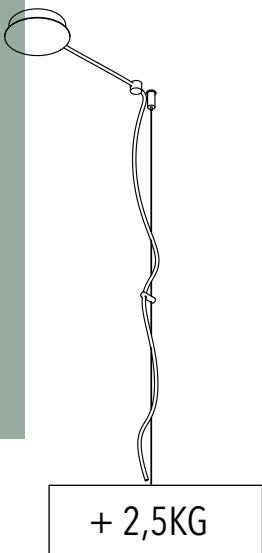
HS.04



HS.05



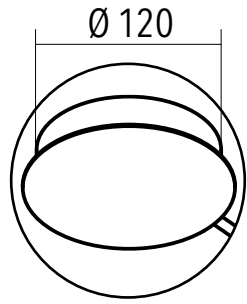
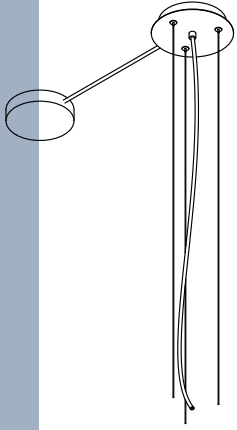
HS.06



• MATT WHITE - BLACK

PLATE
Ø 115

HS.07



• MATT WHITE - BLACK

PLATE
 $\text{Ø } 145$



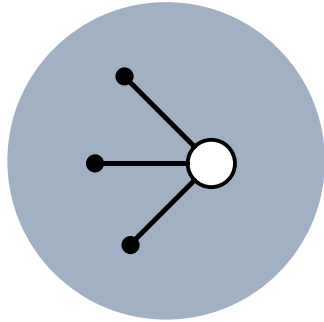
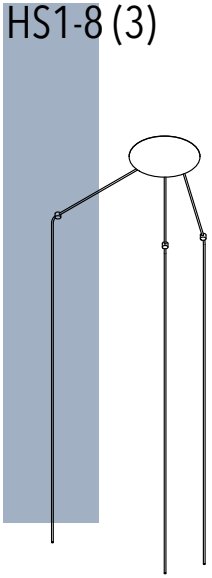
HANGING SYSTEMS & SOLUTIONS

THE HANGING SYSTEM HS 1-8 ALLOWS HANGING WITH FREE DESIGN AND FREE OFFSET FROM 1 TO 8 PENDANT LIGHTS.

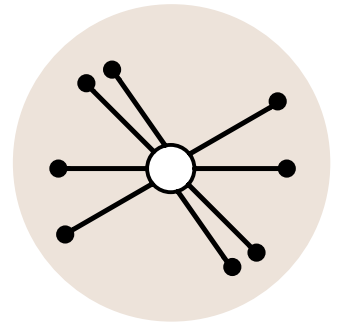
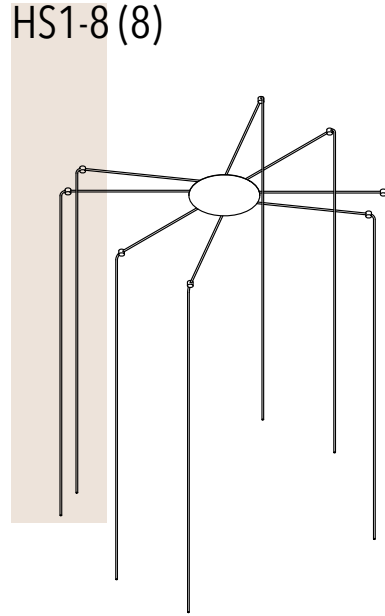
SO WE MAY CREATE HUGE PENDANTS COMPOSED OF LIGHTS FROM THE SAME OR DIFFERENT COLLECTIONS.

MULTIPLE HANGING & DECENTRALIZED SYSTEMS (HS1-8)

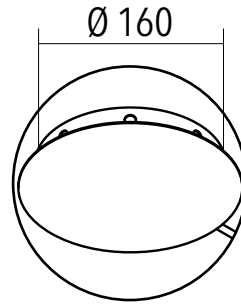
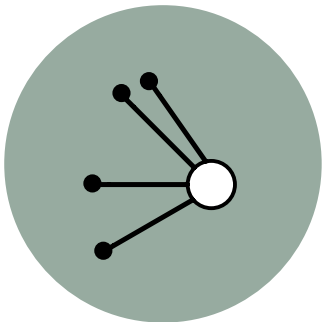
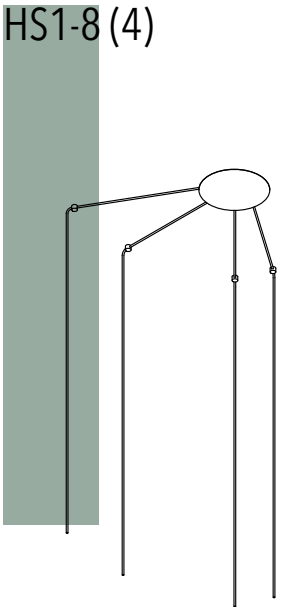
HS1-8 (3)



HS1-8 (8)



HS1-8 (4)



• MATT WHITE - BLACK

PLATE
 $\varnothing 250$

HS1-8 (5)



HANGING SOLUTION WITH BELLE D'I TECH

HERE WE USED THE HS1-8 TO HANG 5 PENDANTS, WITH THE SAME SYSTEM WE MAY HANG AND DECENTRALIZE FROM 1 TO 8 PENDANTS MAXIMUM.

HIND RABII
LIGHTING STUDIO