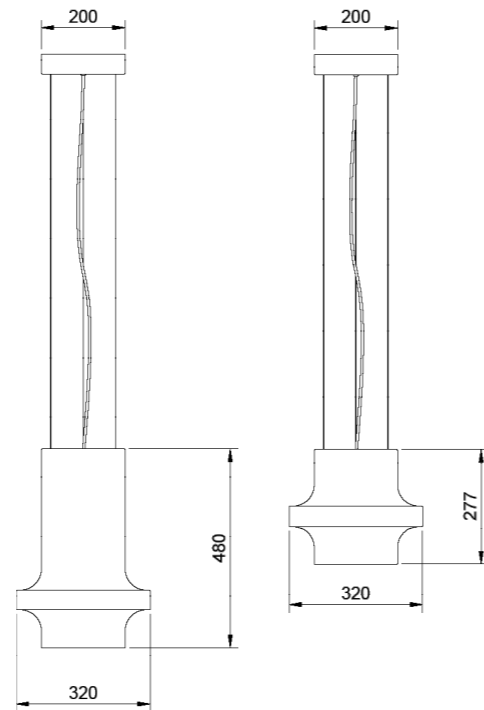
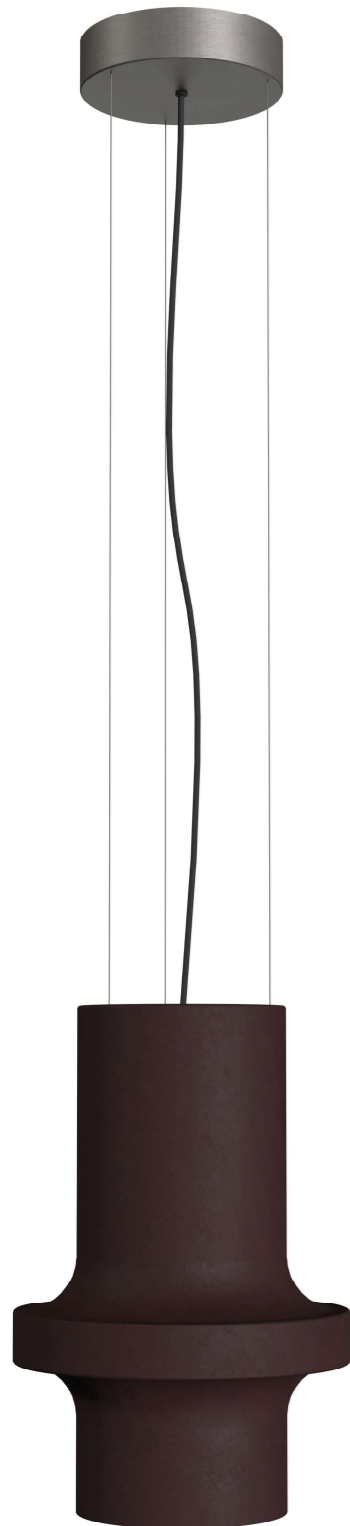


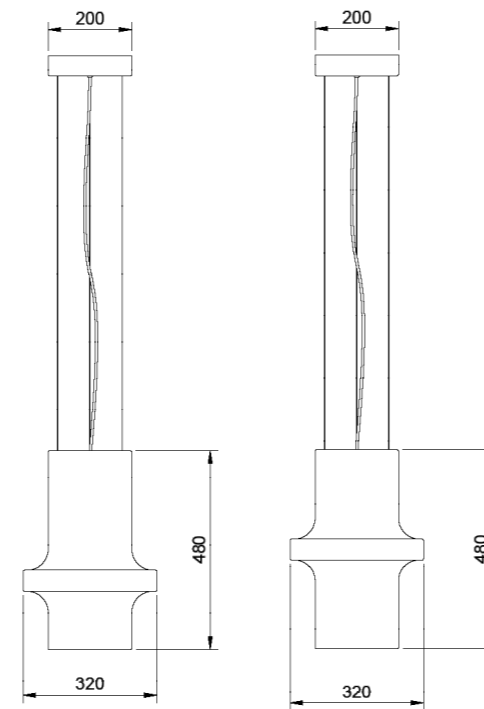
NASSA

Design by LCM Marin Design Studio, 2025









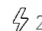


NASSA-L

NASSA-S



NASSA-M

NASSA-H

Canopy	
	Orbitale steel
Ceramic finish	  
	Ivory Uva rossa Rosso lucido
Source	<p>Option 1 : Led module 12w 1500lm 2700K - CRI>90 Main voltage connection (no driver)</p> <p>Option 2 : Led module 12w 1500lm 2700K - CRI>90 Driver CV 24v in the canopy (included)</p> <p>Option 3 : Led module 12w 1500lm 2700K - CRI>90 Driver CC 500ma in the canopy (included)</p>
Dimming	TRIAC dimmable (standard) DALI or CASAMBI on request
Cord	3000mm standard adjustable - black textile cable (Other lenght on request)
Mounting	Pendant
Weight	3 kgs net weight (S) - 4 kgs net weight (L-H-M)
Canopy material	Metal
Schade material	Ceramic
 IP20   220-240v   CASAMBI	

Order code	Reference + option (ex. : 10020-option 1)
------------	---

COD	FINISH
NASSA Nassa-L	Ivory (N°10020) Uva Rossa (N°10021)
Nassa-M	Ivory (N°10022) Uva Rossa (N°10023)
Nassa-H	Ivory & Cristal (N°10024) Uva Rossa (N°10025)